

PIKOMAT Palletizing Systems



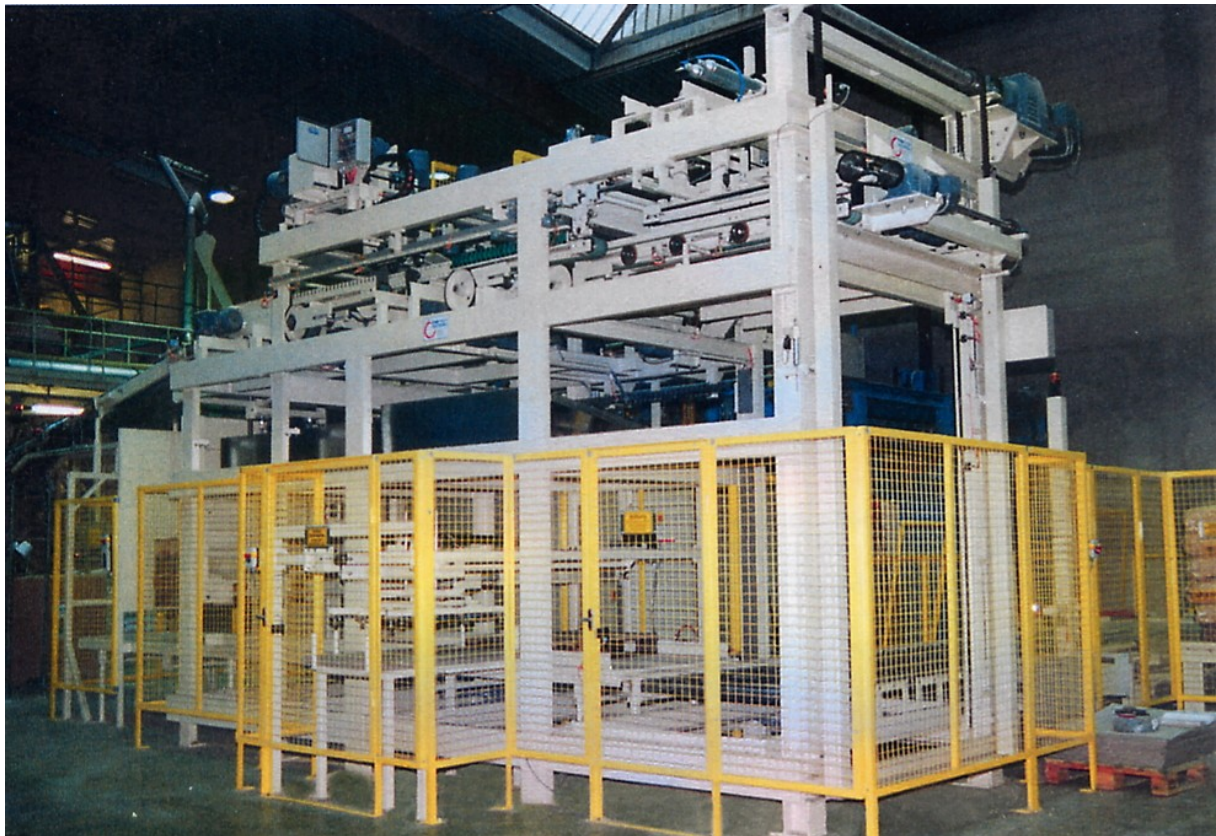
PIKOMAT HDQ - HD

Capacity: up to 2600 bags/h

Our technologie – your profit by:

High level palletizer
High capacity
High availability

Siemensstraße 7
D-92521 Schwarzenfeld
Telefon: +49 9435 5418-0
Telefax: +49 9435 541849
www.wiko-piehler.de
Email: VK@wiko-piehler.de



The **PIKOMAT HDQ-HD** is a high capacity palletizer, which brings especially problematic products in a continuous operation on your pallet.

The items to palletize will be transported and processed on roller conveyors with tight roller distance. The **PIKOMAT HDQ-HD** attracts with its reliability and is extremely easy to maintain. This guarantees a high availability and output capacity of your plant.

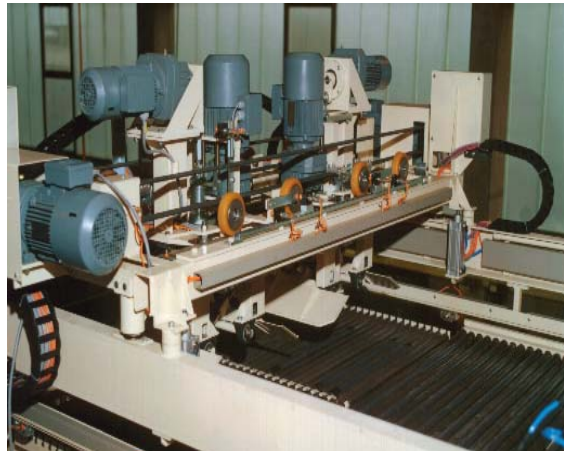
The PIKOMAT HDQ-HD puts order onto your pallet in a gentle exact way, even with gaps.

We plan, supply and install your complete plant. Self-evidently our customer service attends you, also after the initiation.

PIKOMAT HDQ-HD

High capacity with:

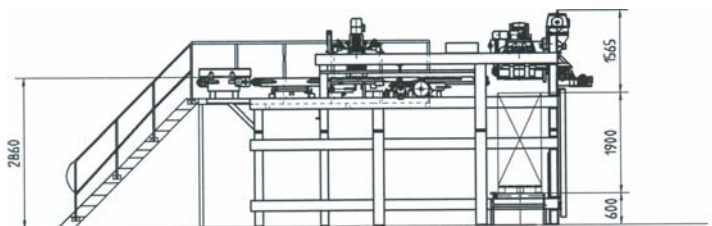
- Adjustable bag positioner system for a gentle and deformation-free bag treatment
- Up to 2600 bags/h



Technical description:

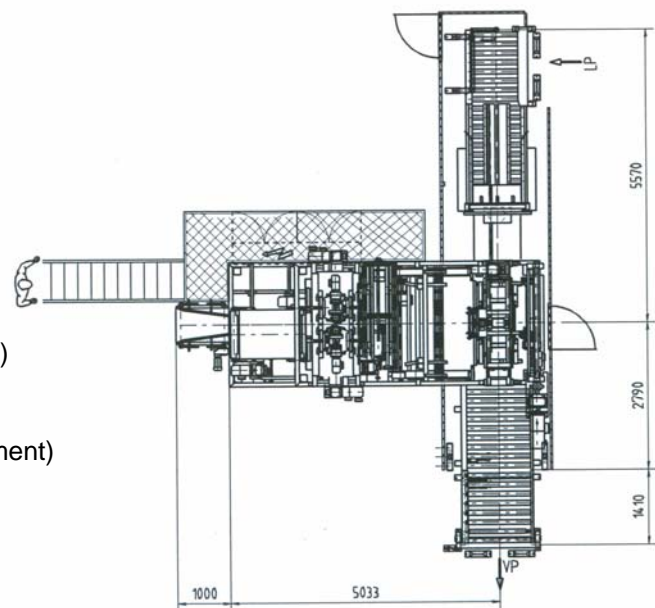
- Most sensitive products will be geometrically exact palletized
- Stacking with gaps
- Bag turning: 90° right / left, 180°
- Pallet dispenser for 20 or 40 empty pallets
- Touch-Screen Display
- Siemens S7 controlled
- Profibus wiring

Bag turner *PIKOMAT-HDQ HD*

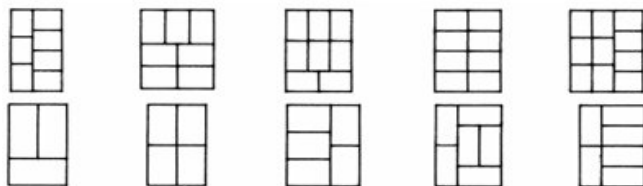


Special construction features:

- Duplex – transfer bag turner (capacity – velocity)
- Extrem quiet operating process
- Toothed belt technology
- Friction driven roller conveyor (gentle bag treatment)
- 1 to. layer press (precise batch geometry)
- Frequency controlled gears



Examples for layer pattern



mounting example PIKOMAT HDQ-HD