

PIKOMAT Palletizing Systems

PIKOMAT HPS – Bag-palletizer



Capacity: up to 1400 bags/h

High level
Precise stacks
Anytime ready for use

Siemensstraße 7
D-92521 Schwarzenfeld
Telefon: +49 9435 5418-0
Telefax: +49 9435 541849
www.wiko-piehler.de
Email: VK@wiko-piehler.de



The PIKOMAT HPS has experience with products in the construction industry, robust design, low maintenance, reliable and suitable for use in any branch – for all type of bags.

It's unique technology is controlled by a modern Siemens S7 programm – of course from our company.

Our experience of 25 years, permanently adapted to the actual needs in the market, is anytime available for you.

A talk with us is worthwhile itself

We plan, supply and install your complete plant. Self-evidently our costumer service attends you, also after the initiation.

PIKOMAT HPS – Bag-palletizer

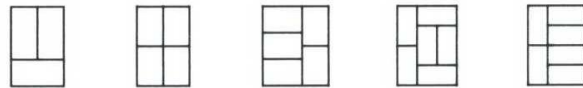
Capacity: up to 1400 bags/h

Pallet dispenser: 20/40 Euro pallets

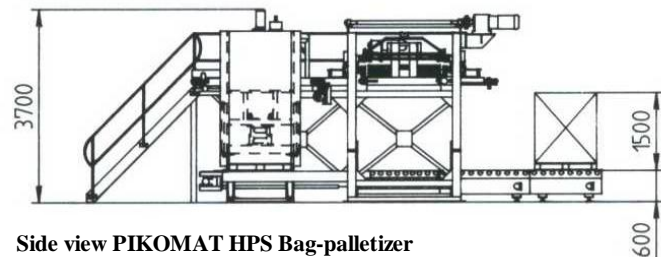
Spezial features:

- Double-flap bag turner
- 1 to. layer press
- Siemens S7 controlled
- Toothed belt technology
- Frequency controlled gears
- High ease of use

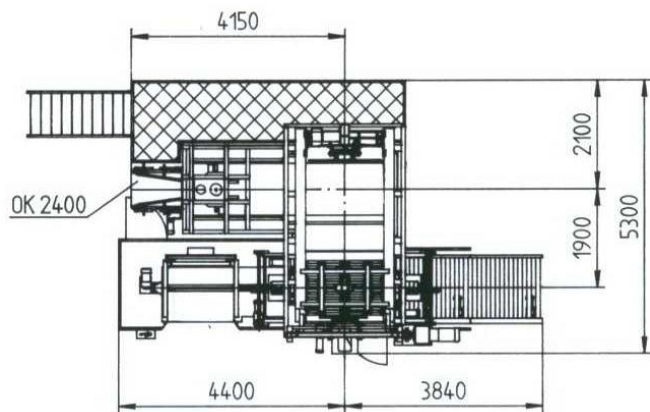
Please ask for detailed information.



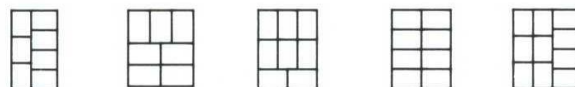
Examples for layer pattern



Side view PIKOMAT HPS Bag-palletizer



Top view PIKOMAT HPS Bag-palletizer



Examples for layer pattern